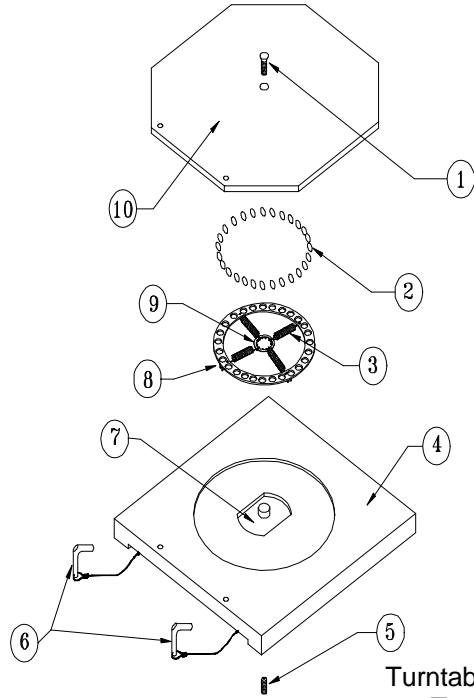


89261 Turntable Part Reference



Turntable Dimensions: 14" x 14" x 1 1/2"
 Turntable Material: Stainless Steel

Ref.	Part Number	Description	Quantity
1	41-12-1	SS Top Taper Screw	1
2	41-85-1	9/16" Delrin Bearing	27
3	41-60-1	SS 2" Spring	4
4	41-14-1	Welded Base Assembly	1
5	41-15-1	SS Set Screw	1
6	41-18-1	SS Lock Pin	2
7	41-17-1	7" Round Bottom Plate	1
8	41-55-1	Retainer, Ball Bearing	1
9	41-95-1	7/8" SS Internal Loc Washer	1
10	41-13-1	Octagon Cover Plate	1
*	41-10-1	Repair Kit for 2 Plates	1
		Containing:	
		(54) 9/16" Delrin Bearing	
		(2) SS Internal Loc Washer	
		(8) SS 2" Spring	

* Not Shown